

13.1 Air heater

Type Air heater

APPLICATION

- HELIOS-Air heater are used for heating up air or non-explosive gases
- for example air, water vapour, nitrogen (CO₂) up to 700 °C max., up to 0.3 bar over pressure

MODELS

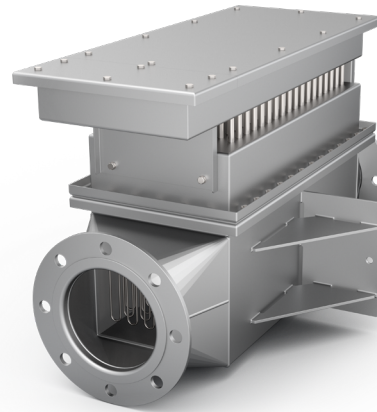
- Flange plate for installation in site square duct or convention oven
- Air duct to be flanged to an on-site fan or air duct
- Special designs at customer request

ALTERNATIVE MODELS

- Air funnel for flange-mounting to pipelines
- Insulating plug above or below the flange, for heat insulation at temperatures up to 200 °C
- Cooling zone between the insulating plug and connection case, at temperature over 200 °C
- Connection case for protection system IP 65 (IP 30 is standard)

DESIGN

- Flange or air duct made of stainless-steel
- tubular heating element Ø 8.4 mm made of stainless-steel
- voltage, power and switching groups on customer request
- regulation by temperature controller, limiter, PT 100 or thermo-couples



WE REQUIRE THE FOLLOWING INFORMATION FOR A QUOTATION

Medium to be heated	:
Volume	:
Inlet temperature	:
Outlet temperature	:
Pressure	:
Voltage	:
Power	:
Switching groups	:

Temperature control	:
Duct height	:
Duct width	:
Duct length (max.)	:
Material	:
Protection system	:
Quantity	:
Special requests	: