

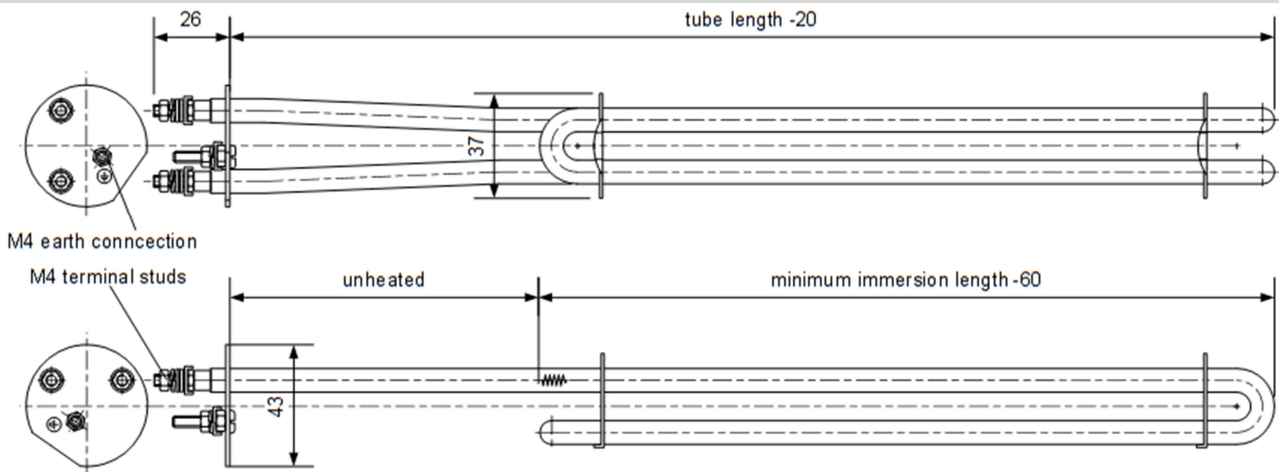
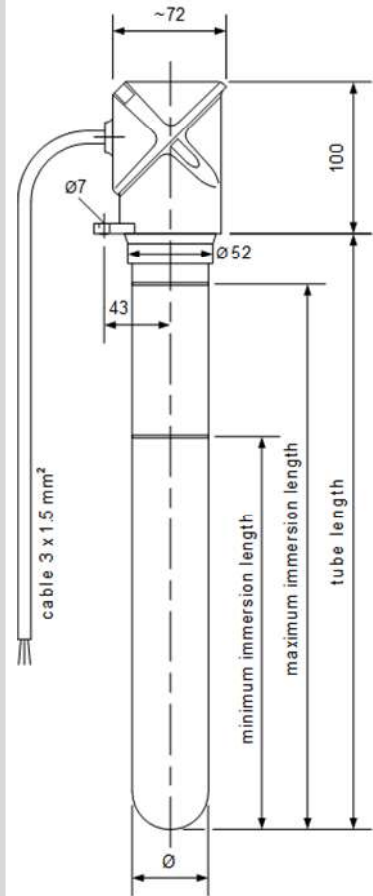
5.1 Bath immersion heater



VDE tested and certified
according to:
EN 60335-1
EN 60519-1
EN 60519-2

Application

Helios bath immersion heaters are particularly suitable for the direct heating of:
water
caustic solutions,
acids,
mordant,
oils,
and other fluids that allow a specific surface load of 2.5 W/cm²



Design

Helios bath immersion heaters consist of an exchangeable 230 V tubular heating element, exchangeable protective tube and a IP65-cap with power cable.

The jacket tube material depends on the type of fluid to be heated.

The power cable can be arranged axially or radially by rotating the cap

Technical advantages

If glass or porcelain tubes break and the protective tube is replaced in time, the heating element can still be used.

